



AvoKey Installation



AvoKey Hardware installation guide for

Pearl Expert Pro Serial no. PEXP-1945 and onwards

Pearl Expert consoles upgraded with the V10 Upgrade kit
using the LV67H Motherboard

i.e. Consoles Not requiring an extra USB cable

Avolites Kit number 8000-6101 Version 1.0

This document, the product and procedures it describes within are intellectual property of Avolites Ltd. at all times.

Useful Avolites phone numbers:

Avolites England

Sales and service* (+44) (0) 20 8965 8522

Service out of hours*(+44) (0) 831 17 8888

Fax (+44) (0) 20 8965 0290

Email repairs@avolites.com

Website <http://www.avolites.com>

The small print:

No Liability for Consequential Damages

Avolites has a policy of continuous product and documentation improvement. As such the detail within this manual may not match the operation of the Console/Server.

In no event shall Avolites be liable for any direct, indirect, special, incidental, or consequential damages or loss whatsoever (including, without limitation, damages for loss of profits, business interruption, or other pecuniary loss) arising out of the use or inability to use Console/Server even if Avolites Ltd. has been advised of the possibility of such damages. Because some jurisdictions do not allow the exclusion or limitation of liability for consequential or incidental damages, the above limitation may not apply to you.

Reprint and revision history:

v1.0 Created GK Jun 2019

V1.1 Split up per console and edits JBT Oct 2019

C O N T E N T S

1. SAFETY NOTICE	4
2. PEARL EXPERT PRO	4
COMMELL LV-67H (PEXP-1945 – ONWARDS, V10 UPGRADED UNITS).....	4
3. RELICENSING VERSIONS BEFORE V12.....	7
4. V12 INSTALLATION AND AUTHENTICATION	7
5. LETTING US KNOW	7

IMPORTANT NOTES:

The document is divided into chapters depends on the console type or TNP and motherboard installed in the console or TNP.

Read the relevant section of this document at least once before starting the installation.

If in doubt contact your reseller or Avolites for support direct.

Perform the upgrade in an area with good work lighting and clear working space.

Have a small container handy to put screws in as you remove them.

Please note that it is possible that your console does not have a motherboard listed below, this can be because the original MB had failed, and the original MB was not available anymore. In this case contact Avolites direct to establish which kit you may need.

After the installation of the Avokey you can use the console as normal with software versions before V12. In order to use V12 you will need to download it and install as per normal, this is then followed by the "authentication" process to licence the console or TNP for V12. This only needs to happen once.

See the V12 installation notes for further information

Console an and TNP licenses are Hardware locked, therefore once authenticated against a specific console or TNP the dongle will only work in that product.

1. Safety notice

Before you open the console



Disconnect the console from the Mains supply and other electrical connections

Observe anti-static measures by either using an anti-static strap connected to the console or by touching the internal metal PSU housing when working inside the console like connecting the AvoKey

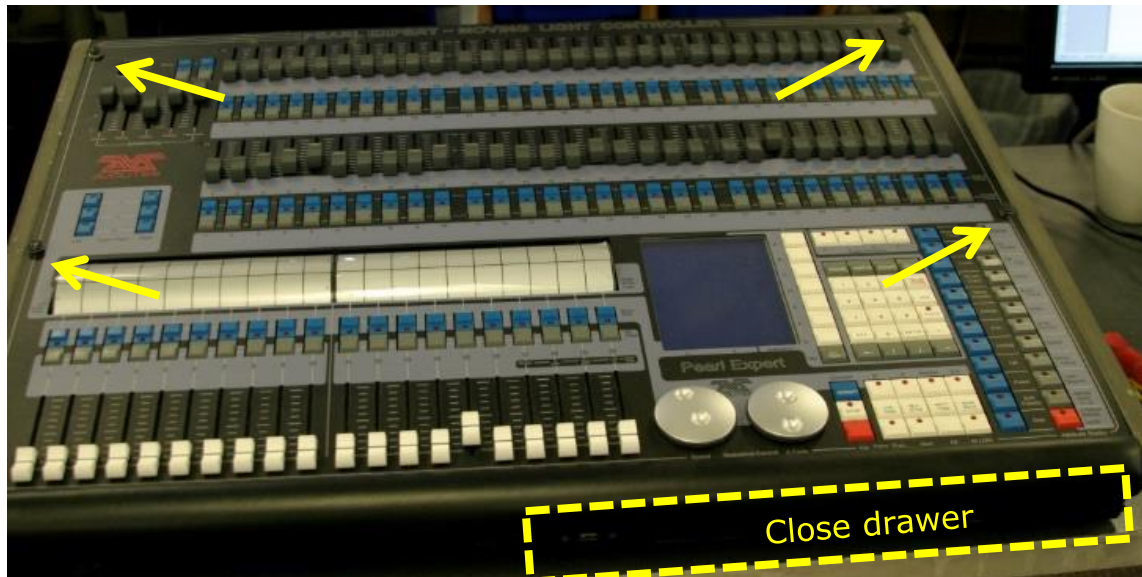
2. Pearl Expert Pro

Commell LV-67H (PEXP-1945 – onwards, V10 upgraded units)

Place the console on a stable base and **make sure the keyboard drawer is closed.**

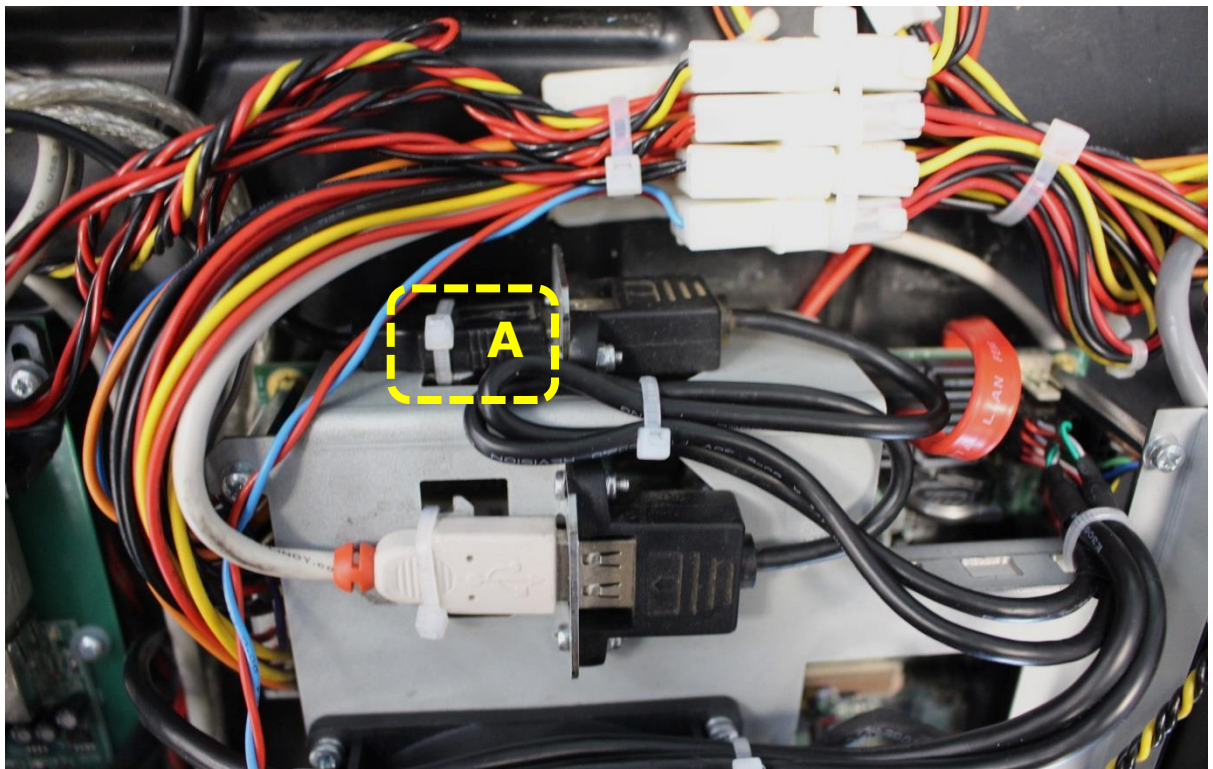
Assure that the TNP is not connected to the mains supply

Open the console by turning the four Dzus fasteners 1/4 turn **Counter clockwise**, then lift the front panel from the back (hinge point is at the front)

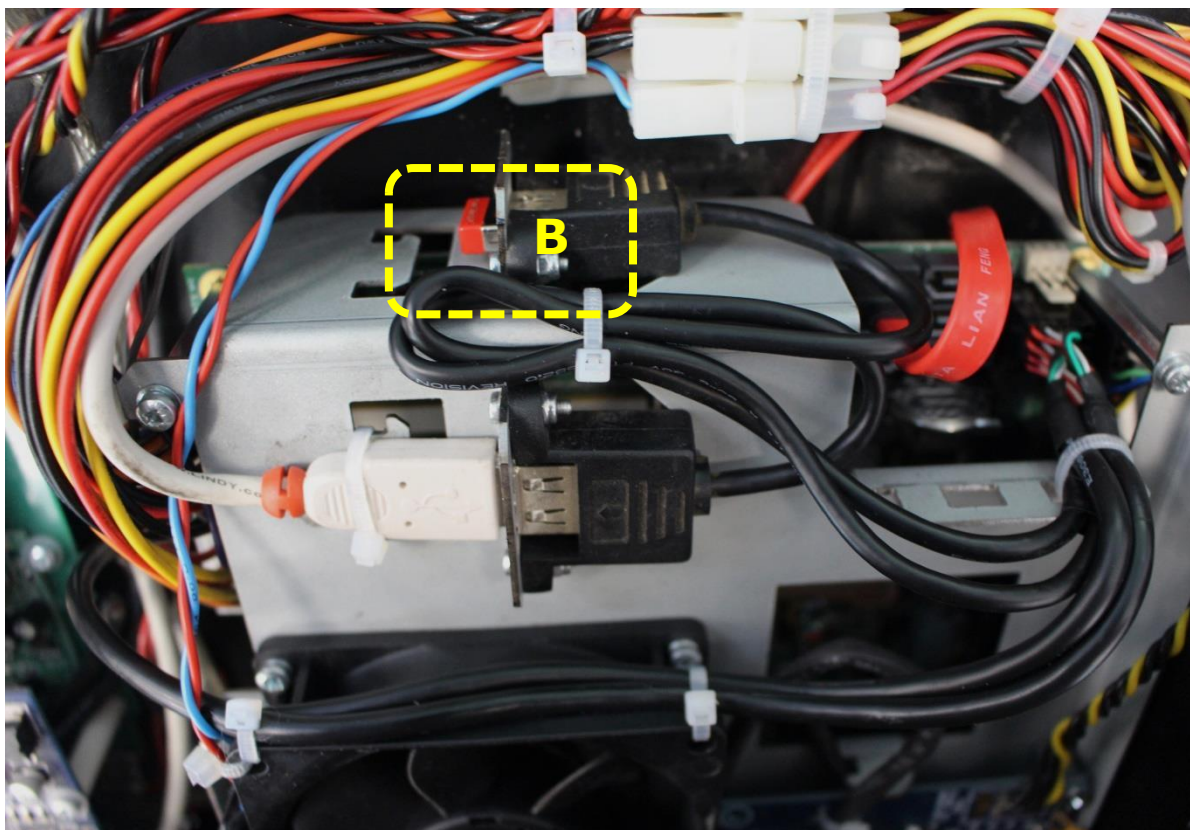


All further instructions are given described by standing at the back of the console.

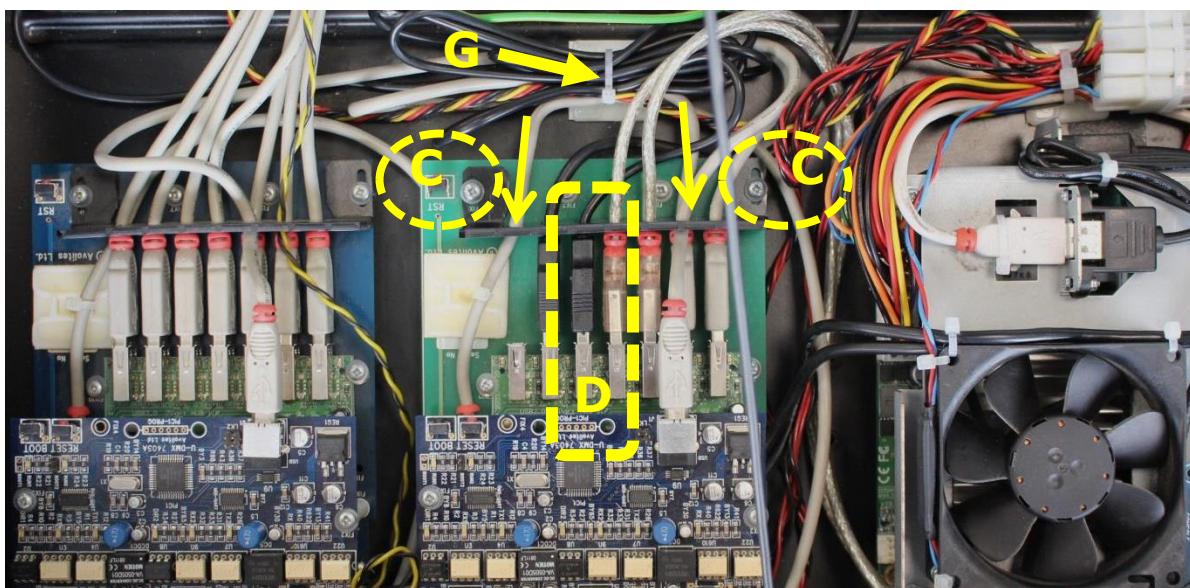
A. cut the cable-tie and disconnect the keyboard USB cable from the safety frame



B. Plug the AvoKey stick into the safety frame USB port from the last step



- C. Locate USB comb on middle USB hub and remove the two M3 screws, remove comb
- D. Connect the keyboard USB cable to the empty USB port on U-HUB board
- E. Refit previously removed USB comb with retained fixings
- F. Push the comb towards the back before tightening the screws (marked C)
- G. Cut existing cable-tie holding the Keyboard USB cable, then bundle the cable and refit ta new cable tie



- H. Lower down the front panel then close the console by turning clockwise the four Dzus fasters 1/4

3. Relicensing Versions before V12

You will not need to re-licence the software if the version is before V12.

4. V12 installation and authentication

To install V12, download and follow the V12 installation notes from the Avolites website
After installation an authentication step is required to licence the AvoKey.

5. Letting us know

We care about our products, and therefore we want to know as much as we can about each console that we have made. This upgrade is major and we want to keep track of that. So email us the details as listed below so we can update our records.

Further if you have any comments about this document or procedure let us know as well so we can improve where needed.

Send the email to repairs@avolites.com

Data to include:

- Console serial number
- client name if known
- your name or company name
- Date of upgrade